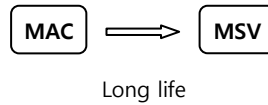


MSV series

Long life RoHS compliant



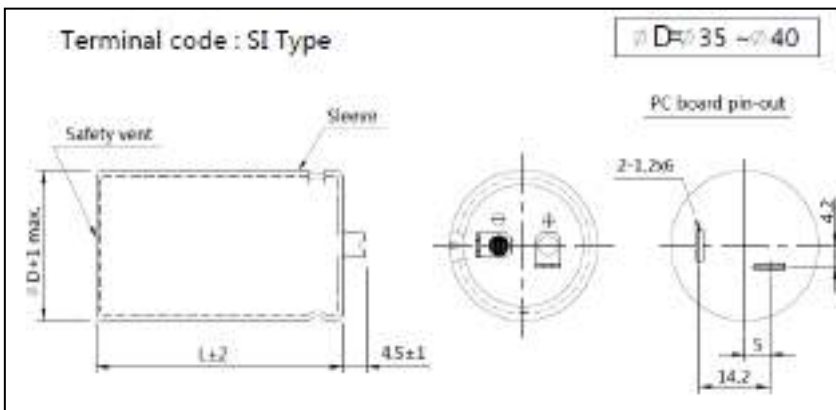
- 85°C 5,000Hrs assured.
- Long life
- For air conditioning system
- RoHS compliant
- Halogen-free capacitors are also available.



Specifications

Item	Characteristics				
Rated Voltage Range	450 Vdc				
Operating Temperature Range	-25 ~ +85°C				
Capacitance Tolerance	±20% (M) (at 20°C, 120Hz)				
Leakage Current	$I=3\sqrt{CV}(\mu A)$ Where, C:Nominal capacitance(μF), V:Rated voltage(VDC) (at 20°C, 5 minutes)				
Dissipation Factor (Tanδ)	<table border="1"> <tr> <td>Rated Voltage(VDC)</td> <td>450</td> </tr> <tr> <td>Tanδ(Max.)</td> <td>0.20</td> </tr> </table> (at 20°C, 120Hz)	Rated Voltage(VDC)	450	Tanδ(Max.)	0.20
Rated Voltage(VDC)	450				
Tanδ(Max.)	0.20				
Load life	The following specifications shall be satisfied when the capacitors are restored to 20°C after the rated voltage is applied for 5,000 hours at 85°C. Capacitance change ≤ ±20% of the initial value Tanδ ≤ 200% of the initial specified value Leakage current ≤ The initial specified value				
Shelf life	The following specifications shall be satisfied when the capacitors are restored to 20°C after exposing them for 1,000 hours at 85°C without voltage applied. The rated voltage shall be applied to the capacitors for a minimum of 30 minutes at least 24 hours and not more than 48 hours before the measurements. Capacitance change ≤ ±20% of the initial value Tanδ ≤ 200% of the initial specified value Leakage current ≤ The initial specified value				

Dimension



•Printed white color letter on PET/PVC black sleeve

Standard Rating

WV (Vdc)	Cap (μF)	Size ØxL (mm)	Tanδ	Ripple Current (mA _{rms} /85°C,120Hz)	Code No
450	560	30 x 60	0.20	3,200	MSV450□561O60□□□
		35 x 50	0.20	3,200	MSV450□561P50□□□
	680	30 x 70	0.20	4,100	MSV450□681O70□□□
		35 x 60	0.20	4,100	MSV450□681P60□□□
	820	35 x 70	0.20	4,900	MSV450□821P70□□□