



MAC series

High ripple RoHS compliant

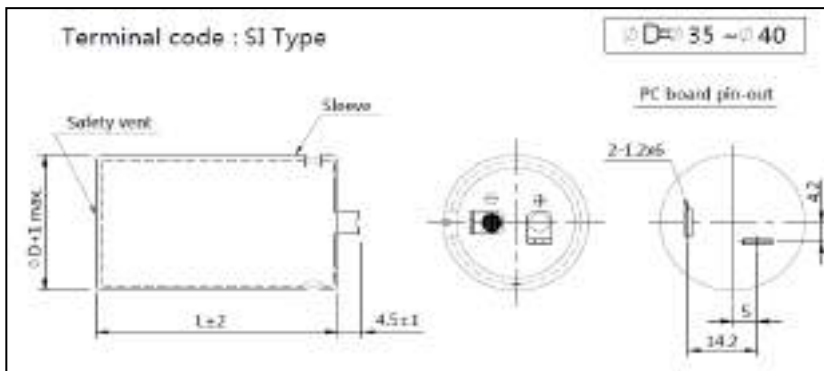


- 85°C 3,000Hrs assured.
- High ripple
- For air conditioning system
- RoHS compliant
- Halogen-free capacitors are also available.

■ Specifications

Item	Characteristics						
Rated Voltage Range	400, 450 Vdc						
Operating Temperature Range	-25 ~ +85°C						
Capacitance Tolerance	±10% (K) (at 20°C, 120Hz)						
Leakage Current	$I = 3\sqrt{CV} (\mu A)$ Where, C:Nominal capacitance(μF), V:Rated voltage(VDC) (at 20°C, 5 minutes)						
Dissipation Factor (Tanδ)	<table border="1"> <tr> <td>Rated Voltage(VDC)</td> <td>400</td> <td>450</td> </tr> <tr> <td>Tanδ(Max.)</td> <td>0.15</td> <td>0.20</td> </tr> </table> (at 20°C, 120Hz)	Rated Voltage(VDC)	400	450	Tanδ(Max.)	0.15	0.20
Rated Voltage(VDC)	400	450					
Tanδ(Max.)	0.15	0.20					
Load life	The following specifications shall be satisfied when the capacitors are restored to 20°C after the rated voltage is applied for 3,000 hours at 85°C. Capacitance change ≤ ±20% of the initial value Tanδ ≤ 200% of the initial specified value Leakage current ≤ The initial specified value						
Shelf life	The following specifications shall be satisfied when the capacitors are restored to 20°C after exposing them for 1,000 hours at 85°C without voltage applied. The rated voltage shall be applied to the capacitors for a minimum of 30 minutes at least 24 hours and not more than 48 hours before the measurements. Capacitance change ≤ ±20% of the initial value Tanδ ≤ 200% of the initial specified value Leakage current ≤ The initial specified value						

■ Dimension



•Printed white color letter on PET/PVC black sleeve

■ Standard Rating

WV (Vdc)	Cap (μF)	Size ØxL (mm)	Tanδ	Ripple Current (mA _{RMS} /85°C,120Hz)	Code No
400	560	30 x 55	0.15	2,900	MAC400□561055□□□
		35 x 45	0.15	2,800	MAC400□561P60□□□
	680	30 x 60	0.15	3,400	MAC400□681060□□□
		35 x 50	0.15	3,300	MAC400□681P50□□□
	820	30 x 70	0.15	4,200	MAC400□821070□□□
		35 x 60	0.15	4,200	MAC400□821P60□□□
	1,000	35 x 70	0.15	5,300	MAC400□102P70□□□
450	560	30 x 60	0.20	2,800	MAC450□561060□□□
		35 x 50	0.20	2,700	MAC450□561P50□□□
	680	30 x 70	0.20	3,300	MAC450□681070□□□
		35 x 60	0.20	3,200	MAC450□681P60□□□
	820	35 x 70	0.20	4,200	MAC450□821P70□□□